

Operating Instructions

Minebea Intec Bag Hanger

for Bioprocess Bags YBH01DC, YBH01FE



Table of Contents

Notes on Using these Instructions.....	3
Copyright	4
Intended Use.....	4
Safety Instructions.....	5
Preparing for Bag Filling	6
Dimensional Drawings.....	7
Care and Maintenance.....	10

Notes on Using these Instructions

- ▶ Please read these instructions carefully and completely before using the device.
- ▶ Read the Safety Instructions carefully.
- ▶ These instructions are part of the product. Keep them in a safe and easily accessible location.
- ▶ If the instructions should be lost or misplaced, please contact Minebea Intec for a replacement or download the latest version from our website:
www.minebea-Intec.com

Symbols and Signs

The following symbols are used in this manual:



Warning symbol for various types of dangers.

These symbols are explained in more detail in the „Safety Instructions“ section.



This symbol indicates useful information and tips.

- ▶ Indicates a required action
- ▷ Describes the result of an action
 1. If a procedure has multiple steps...
 2. ... the steps are numbered consecutively.
- Indicates an item in a list



Technical advice/hotline:

Phone: +49 (0) 40 / 67960-444

Fax: +49 (0) 40 / 67960-474



Damage

The manufacturer is not responsible for any damage caused by improper handling and improper use, as well as non-compliance with warnings or safety instructions.



National Regulations

The existing national rules and regulations regarding accident prevention and any internal company occupational, operational, and safety regulations must be observed. All valid workplace health and safety regulations as well as all relevant safety guidelines should be strictly adhered to when working on the equipment.

Copyright

This documentation may not be reproduced or distributed either in whole or in part without the explicit written permission of Minebea Intec.

This documentation is intended only for use by the buyer. Transfer to third parties, whether free or in exchange for payment, is not permitted.

No liability is accepted for software installed before the purchase of this product. The buyer is liable for any misuse of the product.

Device Description

The YBH01 product range from Minebea Intec supports all activities related to liquids, whether a solution or filtrate, for storage or gravimetric analysis.

Intended Use

YBH01 Bag Hanger models from Minebea Intec enable easy and practical weighing of solutions and liquids.

The YBH01 in its function as a suspension frame for holding bioprocessing bags works in conjunction with a Minebea Intec scale to ensure precise and reproducible weighing during the filling and emptying of the bag. Bags of various sizes can be used up to a capacity of 20 l. The YTH01 tube holder is used to minimize force shunts. The bag tube should be directed over the tube holder in order to ensure the best possible accuracy for the weighing results.

Safety Instructions



Notes on Using these Instructions

Please read all individual device instructions carefully and completely before using this device. Read the safety precautions carefully. These instructions are part of the product. Keep them in a safe and easily accessible location. These safety precautions and regulations must always be accessible to the operator. If the instructions should be lost or misplaced, please contact Minebea Intec for a replacement or download the latest version from our website: www.minebea-Intec.com



Damage

The manufacturer is not responsible for any damage caused by improper handling, improper use or non-compliance with warnings or safety instructions.



National Regulations

Existing national rules and regulations regarding accident prevention and any internal company occupational, operational, and safety regulations must be observed. All valid workplace health and safety regulations as well as all relevant safety guidelines should be strictly adhered to during operation.

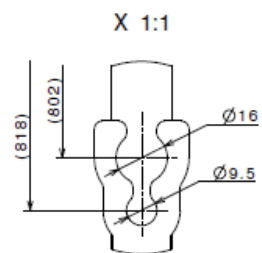
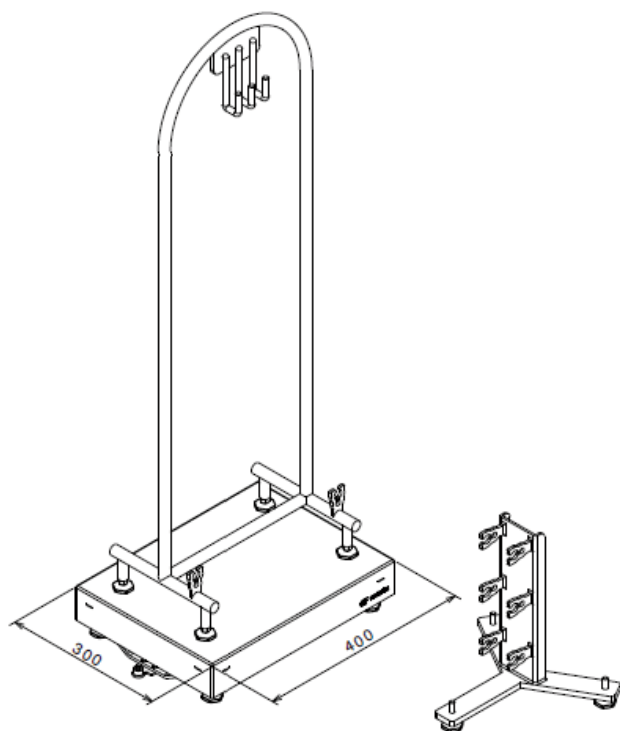
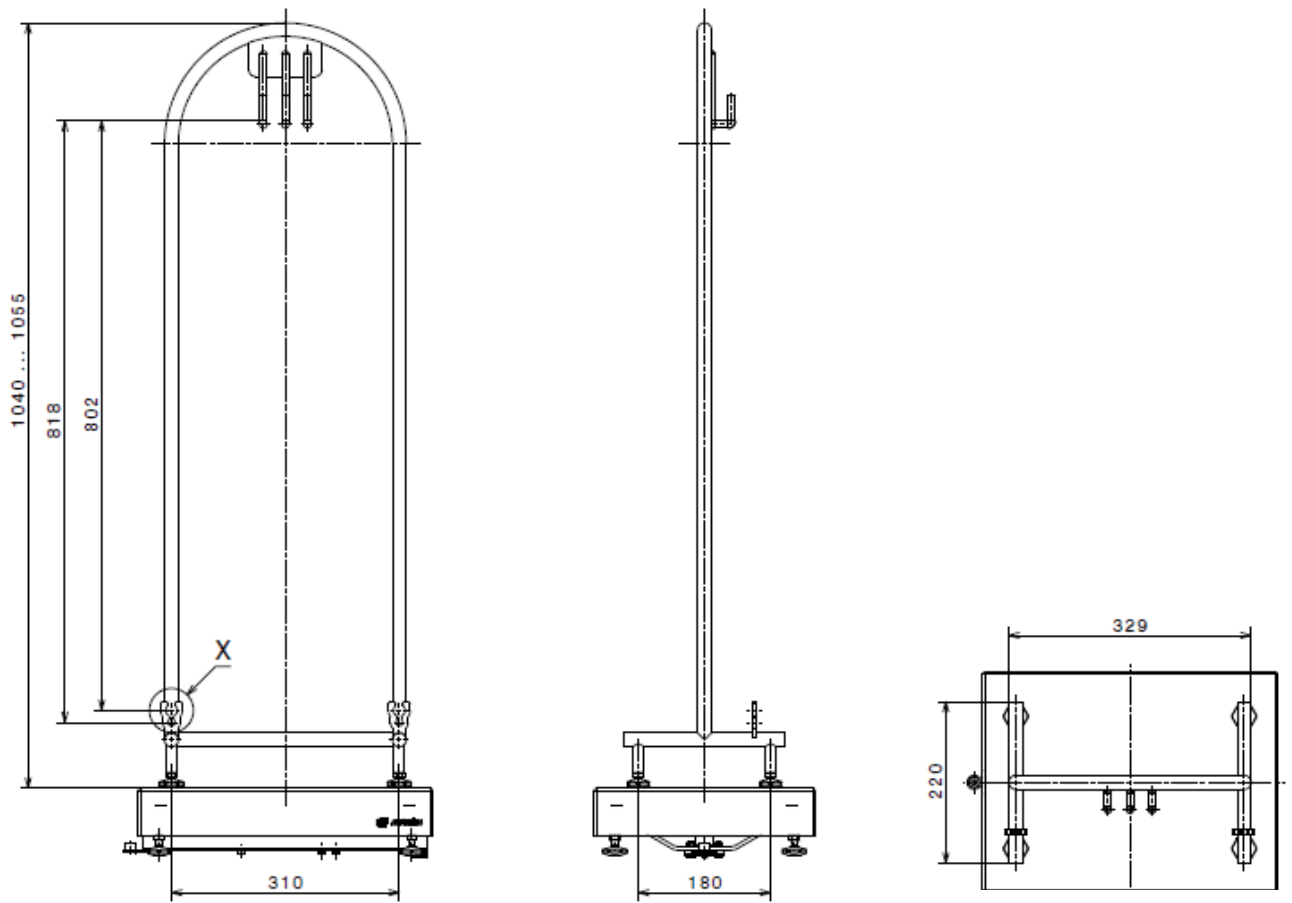
Preparing for Bag Filling

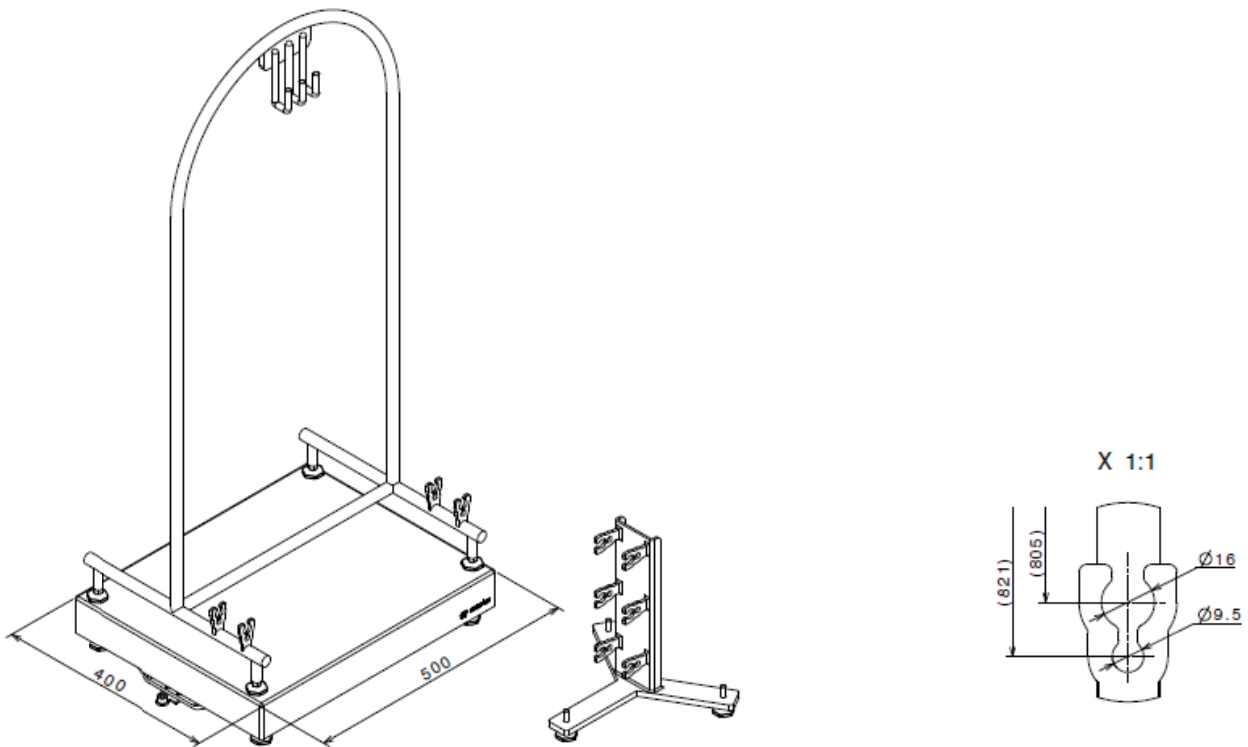
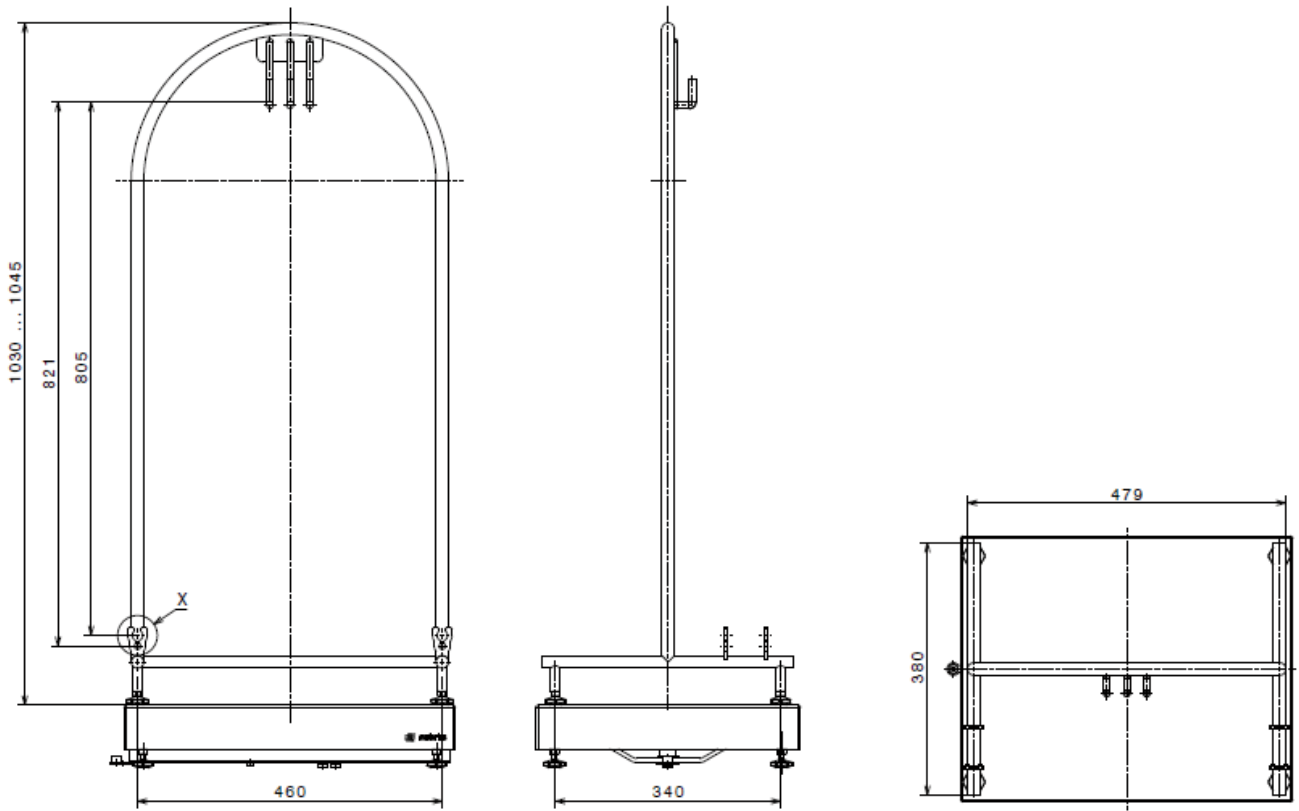


- ▶ Place the bag hanger on the weighing pan
- ▶ The bag hanger must be set up horizontally. It must also be leveled when it is used to ensure reproducible weighing results. Screw the leveling feet in/out as required.
- ▶ Secure the lock nuts using the open-jawed wrench.
- ▶ Check to ensure that the bag holder is secure.
- ▶ Place the YTH01 tube holder next to the scale.
- ▶ Hang the bag on the fixture.
- ▶ Insert the filling tube into the tube guide on the bag hanger.



- ▶ Let the filling tube hang slightly slack between the bag holder and the tube holder. It should not touch the bottom.
- ▷ If it touches the bottom, the measurement results for the filling quantity will not be exact.
- ▶ Guide the filling tube from the bag holder to the storage tank and connect.





Care and Maintenance

Stainless steel surfaces should be sterilized using hydrogen peroxide or regular cleaning materials (no abrasive agents) or using alcohol solutions.

It may be cleaned using water sprays or pressurized air.

Remove all traces of corrosive substances on a regular basis.

Accessories

Product

Tube holder with 3 tube guides
Stainless steel 1.4301/AISI 304
Dimensions (W x D x H) 300 x 260 x 310 mm

Order No.

YTH01

Minebea Intec Bovenden GmbH & Co. KG
Leinetal 2
37120 Bovenden, Germany

Phone +49.551.309.83.0
Fax +49.551.309.83.190

www.minebea-intec.com

Copyright by Minebea Intec, Bovenden,
Germany.

No part of this publication may be
reprinted or translated in any form or by
any means without prior written permission
from Minebea Intec. All rights reserved.

The status of the information,
specifications and illustrations in this
manual is indicated by the date given
below. Minebea Intec reserves the right to
make changes to the technology, features,
specifications, and design of the equipment
without notice.

Date: January 2017